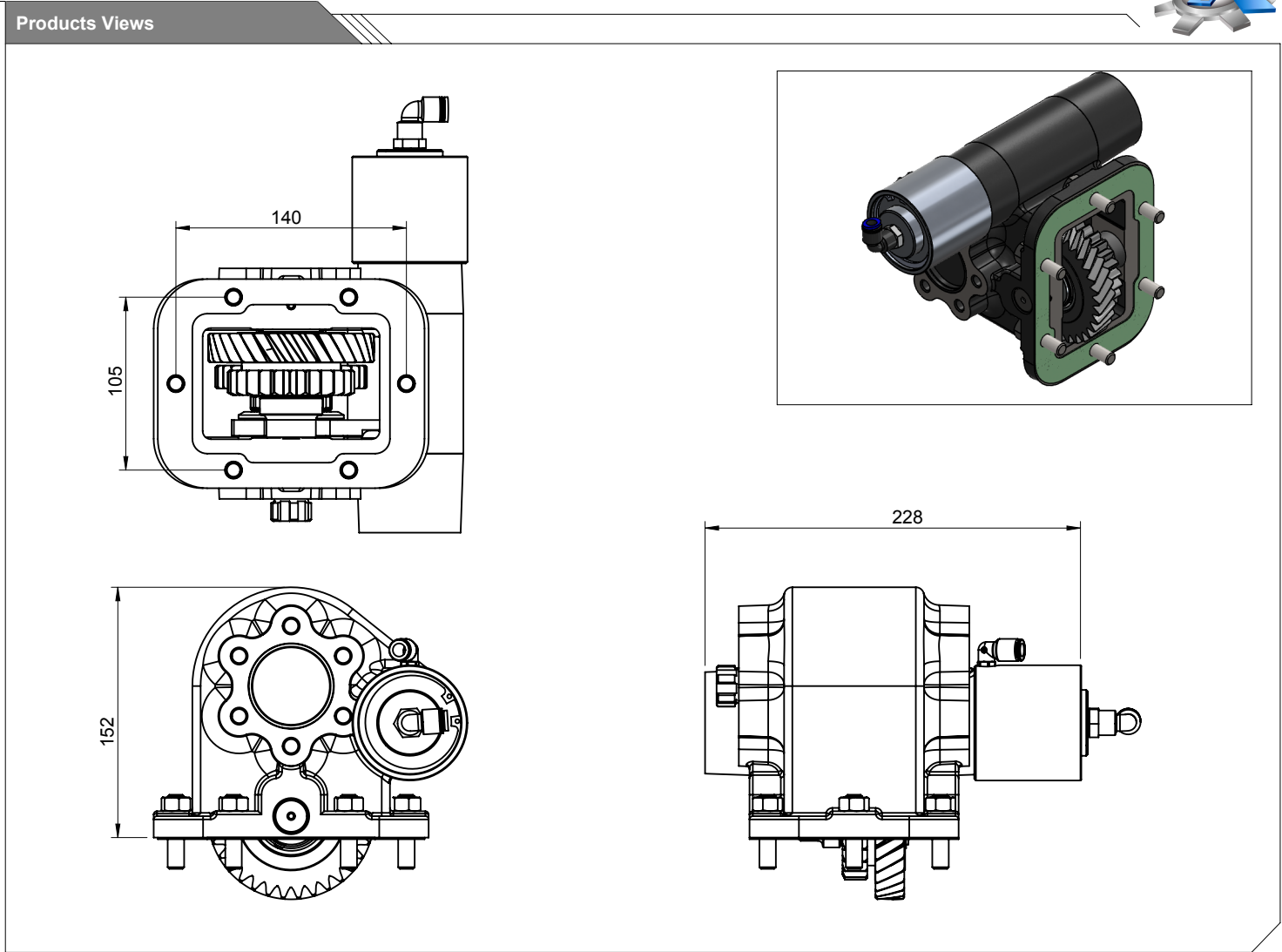


|                     |   |
|---------------------|---|
| <b>Vehicle Type</b> | IVECO 70C15 EURO5   |
| <b>Gearbox Type</b> | FPT 2840.6 FL2011-MY2011 / 2840.6 19A1Z<br>(8873022-8873021 EURO 5) |

|                     |                           |
|---------------------|---------------------------|
| <b>Product Code</b> | <b>IVC.03.2840V.ÇT.KF</b> |
|---------------------|---------------------------|



|                          |  |
|--------------------------|--|
| <b>Component Details</b> | <p>A : PTO Output (Standard DIN 5463 6X21X25 UNI 3 Bolt)<br/>Direct mounting ISO 4 bolt mtg. adapter<br/>Drive flange<br/>B : Engage ( R 1/8" Connector)<br/>C : DisEngage ( R 1/4" Connector)</p> |
|--------------------------|--|

| <b>Technical Details</b> |                |    |              |               |                          |
|--------------------------|----------------|----|--------------|---------------|--------------------------|
| Power                    | Maximum Torque |    | Input/Output | Mounting Side | Control Type             |
|                          | kW             | Nm |              |               |                          |
| 23.6                     | 225            | 23 | 1/1.24       | Left Side     | Vacuum                   |
|                          |                |    |              | <b>Weight</b> | <b>Sense of Rotation</b> |
|                          |                |    |              | 13 kg         | Opposite of Input        |